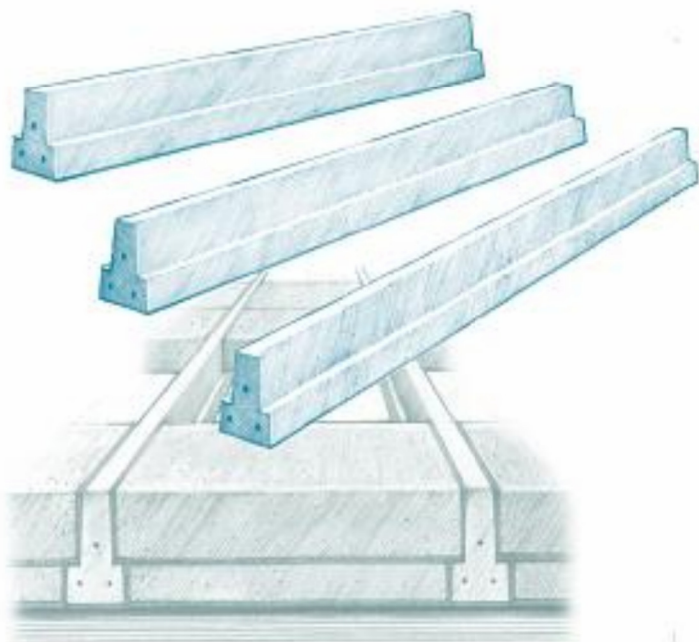


T joist flooring system... Concrete pre-stressed floor joists

South Wales Supplies now supply 155mm concrete pre-stressed T joists. When these are used with standard blocks they provide a fast, easy and economical suspended flooring system. They are ideal for many types of houses and low-rising buildings.



Typical build up of closure and flooring blocks using the South Wales Supplies T Joist System



**South Wales
Supplies**

**Telephone:- 01792 321350
07831 773453**

**www.southwalesupplies.co.uk
www.southwalesmortars.co.uk**

These new T joist flooring systems that South Wales Supplies stock offers you the following benefits...

TIMESAVING

“Dry” construction speeds up building time and provides an immediate working platform.

ALL WEATHER

No delays due to bad weather. Can be installed in adverse weather conditions.

STORAGE & HANDLING

Easily stored and handled on-site prior to installation

HIGHLY DURABLE

South Wales Supplies floor joists do not rot and are fire resistant.

EASILY INSTALLED

Can be installed by unskilled labour.

COST EFFECTIVE

Ease and speed of erection provide a significant cost benefit to the contractor.

READILY AVAILABLE

All sizes are available ex-stock.

SWS

South Wales Supplies

**Steel Lintels, Cavity Trays, Lead
Fabrications & Concrete Floor
Beams**

SWM

South Wales Mortars

**Floor Screed & Coloured Mortar
Manufacturer**